



## Installation Instructions

For Part Numbers

200-168 700-469 Airaid Oiled Media Filter

2006 Chevrolet Silverado 1500  
 2007 Chevrolet Silverado Classic 1500  
 2005-06 Chevrolet Silverado 1500HD/2500HD/3500  
 2007 Chevrolet Silverado Classic  
 1500/1500HD/2500HD/3500  
 4.3L V6, 4.8L V8, 5.3L V8, 6.0L V8, 8.1L V8

INTAKE SYSTEMS FOR VEHICLES LISTED ARE 50 STATE LEGAL. SEE AIRAID.COM FOR CARB STATUS ON EACH PART FOR A SPECIFIC VEHICLE.



### Component Identification

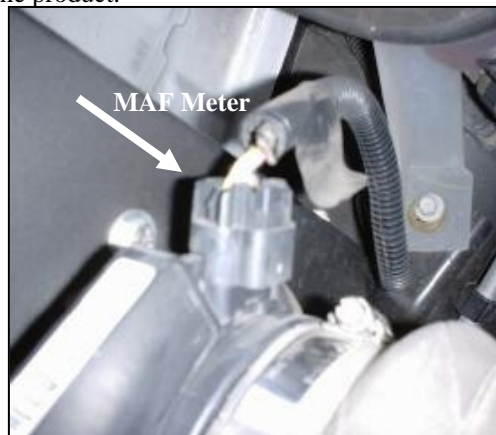
1.	Airaid Premium Filter	1
2.	Rear Air Dam Coated	1
3.	MAF Panel Coated	1
4.	Filter Adapter	1
5.	Weather Strip 21"	1
6.	6-32x5/16" Screw	5
7.	#6 Flat Washer	5
8.	6-32 Keps Nut	5
9.	1/4-20x1/2" Button Head Bolt	3
10.	1/4" Flat Washer	7
11.	M6-1x25 Hex Bolt	4
12.	7/4" Rubber Trim	1
13.	Airaid Decal	1

Full color instructions can be viewed on our web site at [Airaid.com](http://Airaid.com).

If you need any assistance please call 1-800-858-3333 to speak with a representative in our Customer Service Center before returning the product.



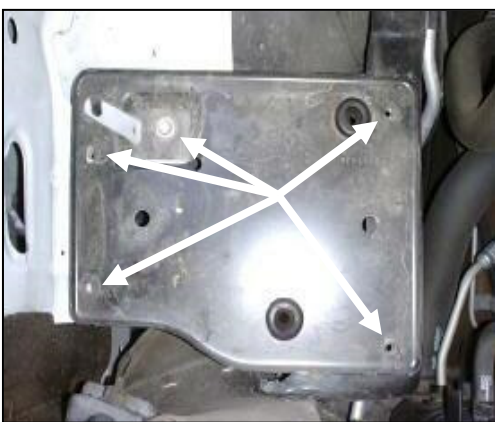
1. **Disconnect the negative battery cable.** Loosen the 2 hose clamps located at the Mass Air Flow (MAF) meter.



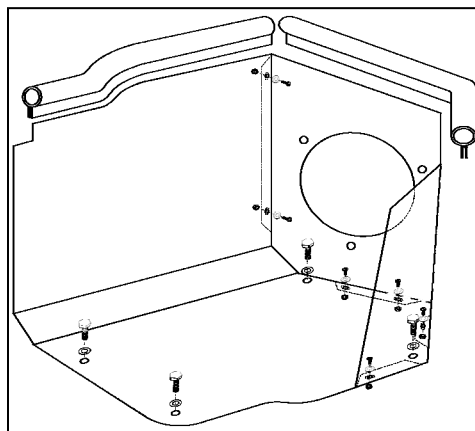
2. Disconnect the MAF meter wiring harness, and remove the meter from the factory intake tube.



3. Remove the factory air filter lid, intake tube, and base from the vehicle as an assembly. (Hint: pull straight up on the air filter base to remove, there are no bolts, just grommets).



4. Using a 10mm socket, remove the five bolts that secure the factory air filter housing platform and remove it.



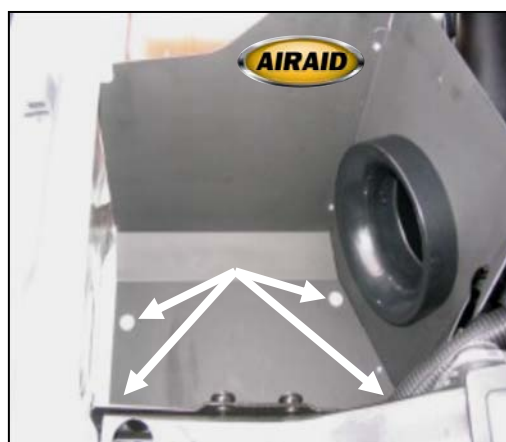
5. Assemble the Airaid Cool Air Dam panels (#2, #3) using five 6-32x 5/16" screws (#6), #6 flat washers (#7) and 6-32 keps nuts (#8).



6. Install the 7/4" rubber trim (#12) onto the side of the Airaid Cool Air Dam.



7. Install the filter adapter (#4) using three 1/4-20 x 1/2" button head bolts (#9) and 1/4" flat washers (#10). Apply the Airaid Foil Decal onto the Panel as shown.



8. Position the Airaid Cool Air Dam in place of the factory air box. Secure it to the factory mounting pad using four M6-1x25 bolts (#11) and 1/4" flat washers (#10). (*Caution: over tightening may distort the cool air dam!*)



9. Slide the factory MAF meter onto the filter adapter. Tighten the hose clamp. (*Note: The factory clamp / rubber bushing must be in place on the inlet to the MAF meter.*) Reconnect the factory intake tube, MAF meter wiring harness, and tighten the clamps.



10. Mount the Airaid Premium Filter (#1) onto the filter adapter and tighten the hose clamp. Press the weather strip (#5) along the top edges of the Airaid cool air dam; assure that it is fully seated along the edges. (Hint: *Begin at a corner and work toward the ends.*)

**11. Double check your work!**

Make sure there is no foreign material in the intake path. Make sure all clamps, hoses, bolts, and screws are tight.

**12. Reconnect the negative battery cable!**



**WARNING!** If your vehicle has a Vehicle Emission Control Information decal affixed to the factory airbox, a new replacement label must be obtained and installed in a readily visible position in the engine compartment in order to remain CARB compliant. Failure to do so will prevent the vehicle from passing a smog check. Replacement labels can be ordered from your local dealership. Regulations state that the VECI label shall not be affixed to any equipment which is easily detached from the vehicle. Label placement, under the hood on a painted surface is recommended.

Thank you for purchasing the Airaid Intake System. Contact Airaid @ (800) 498-6951 8:00 AM - 5:00 PM MST weekdays for questions regarding fit or instructions that are not clear to you. Your Airaid Intake System was carefully inspected and packaged. Check that no parts are missing, or were damaged during shipping. If any parts are missing, contact Airaid. The air filter element is protected from direct exposure to water and debris; care should be taken not to drive through deep water. WATER INGESTION IS THE DRIVERS RESPONSIBILITY! The air filter is reusable and should be cleaned periodically.

**For your Oiled media filter we suggest using the AIRAID Filter Tune-Up Kit!**

**SynthaMax<sup>®</sup>**  
**Do Not Oil**



P/N 790-551 Aerosol Spray  
P/N 790-550 Squeeze Spray



Synthamax Air Filters do not require oil. Service air filter as needed by cleaning with common non-petroleum all-purpose household cleaner and water. Simple Green<sup>®</sup>, Formula 409<sup>®</sup> or equivalent works great. Apply cleaner to outside of air filter and allow to soak. Then flush filter clean from the inside out with a garden hose and repeat steps if necessary. Do not apply high pressure water or air to clean filter. Allow filter to air dry and reinstall.

**INTAKE SYSTEMS FOR VEHICLES LISTED ARE 50 STATE LEGAL. SEE AIRAID.COM FOR CARB STATUS ON EACH PART FOR A SPECIFIC VEHICLE.**